



# SMART KETTLE

INSTRUCTIONS



EP9650

# Contents

Espression's safety precautions	1
Congratulations	2
Features of your Espression Smart Kettle	3
Using your Espression Smart Kettle	5
Tea brewing styles and tips	7
Espressions 3-Way Safety System	8
Care and cleaning	9

## Important instructions – retain for future use.

تأكد من تفهم احتياطات السلامة المذكورة اعلاه

請務必理解上述的安全預防措施。

Assurez-vous que les précautions ci-dessus relatives à la sécurité sont bien comprises

Versichern Sie sich, dass die obenstehenden Sicherheitsmaßnahmen Verstanden werden

Βεβαιώστε πως οι παραπάνω προφυλάξεις ασφαλείας γίνονται κατανοητές

Pastikan bahwa tindakan-tindakan keselamatan seperti di atas dimengerti anda

Accertatevi che le suddette norme di sicurezza siano comprese a dovere

上記の注意事項をよくお読みになり、安全を御確認ください

Уверете се дека погоре споменатите мерки на претпазливост се добро разбрани

Asegúrese de que las precauciones de seguridad precedentes sean bien comprendidas

کاری بکنید که احتیاطهای بالا حتماً درک بشوند

ต้องแน่ใจว่า ข้อควรระวังเรื่องความปลอดภัยข้างต้น เป็นที่เข้าใจกันดี

Yukarda belirtilen güvenlik önlemlerinin anlaşıldığından emin olunuz

Xin kiểm chắc rằng những biện pháp làm an toàn kể trên được hiểu rõ

# Safety precautions for you

## Espressions Smart Kettle

- Boiling water will scald. Do not leave a boiling or hot kettle near or where children may touch it.
- Boiling water may be ejected, if overfilled.
- Do not leave the power cord near the edge of a bench top where children may touch or pull it.
- Do not move kettle while switched on.
- Always turn the power off and unplug the cord while the kettle is NOT in use.
- Do not operate the kettle without water.
- Your Espressions Smart Kettle must only be used with the power base supplied.
- Always operate the kettle on a flat, level surface.
- Avoid spillage on the connector.

**Espressions is very safety conscious when designing and manufacturing consumer products, but it is essential that the product user also exercise care when using an electrical appliance. Listed below are precautions which are essential for the safe use of an electrical appliance:**

- Read carefully and save all the instructions provided with an appliance.
- Always turn the power off at the power outlet before you insert or remove a plug. Remove by grasping the plug - do not pull on the cord.
- Turn the power off and remove the plug when the appliance is not in use and before cleaning.
- Do not use your appliance with an extension cord unless this cord has been checked and tested by a qualified technician or service person.
- Always use your appliance from a power outlet of the voltage (A.C. only) marked on the appliance.
- This appliance can be used by children aged from 8 years and above if they have been given supervision or instruction concerning use of the appliance in a safe way and if they understand the hazards involved.
- Cleaning and user maintenance shall not be made by children unless they are older than 8 and supervised. Keep the appliance and its cord out of reach of children aged less than 8 years.
- Appliances can be used by persons with reduced physical, sensory or mental capabilities or lack of experience and knowledge if they have been given supervision or instruction concerning use of the appliance in a safe way and understand the hazards involved.
- Children shall not play with the appliance.
- Children should be supervised to ensure that they do not play with the appliance.
- The temperature of accessible surfaces may be high when the appliance is operating or when the heating cycle has finished
- Never leave an appliance unattended while in use.
- Do not use an appliance for any purpose other than its intended use.
- Do not place an appliance on or near a hot gas flame, electric element or on a heated oven.
- Do not place on top of any other appliance.
- Do not let the power cord of an appliance hang over the edge of a table or bench top

- or touch any hot surface.
- Do not operate any electrical appliance with a damaged cord or after the appliance has been damaged in any manner. If damage is suspected, return the appliance to the nearest Espressions Appointed Service Centre for examination, repair or adjustment.
- For additional protection, Espressions recommend the use of a residual current device (RCD) with a tripping current not exceeding 30mA in the electrical circuit supplying power to your appliances.
- Do not immerse the appliance in water or any other liquid unless recommended.
- Appliances are not intended to be operated by means of an external timer or separate remote control system.
- This appliance is intended to be used in household and similar applications such as: staff kitchen areas in shops, offices and other working environments; farm houses; by clients in hotels, motels and other residential type environments; bed and breakfast type environments

If you have any concerns regarding the performance and use of your appliance, please visit [www.espressions.eu](http://www.espressions.eu) or contact the Espressions Consumer Service Line. Ensure the above safety precautions are understood.

## Congratulations on the purchase of your Smart Kettle

Congratulations on the purchase of your Espressions Smart Kettle. Espressions delivers quality, style and superior performance capturing the essence of the commercial kitchen. Inspired by heavy-duty equipment found in restaurants, cafes and bars, Espressions is built to last. It brings together a range of appliances designed to expertly create authentic café food and beverages at home.

Uncompromising blends of stainless steel, brass and die-cast alloy characterise the range. This combined with advanced technology and functional design, guarantee the performance, that each product will surpass expectations. The Espressions Smart Kettle is designed with quality stainless steel components and includes many features that will help you brew the perfect cup of tea.

# Features of your Smart Kettle

## Stylish stainless steel design

Long life stainless steel with a premium brushed and polished finish delivers quality and style to suit any kitchen décor.

## Twin water level gauges

Full length water gauge indicates the volume of water in the kettle up to 1.7L. The two gauges make the kettle convenient to use for both left and right handed users.

**Note:** Independent laboratory tests show that water used in this kettle will be BPA free to a resolution of one part per million

## 2350W concealed element

The fast boil 2350 watt element is concealed in the base of the kettle for longer element life. The smooth stainless floor reduces scale build up and allows for easy cleaning.

## 360 degree cordless power base

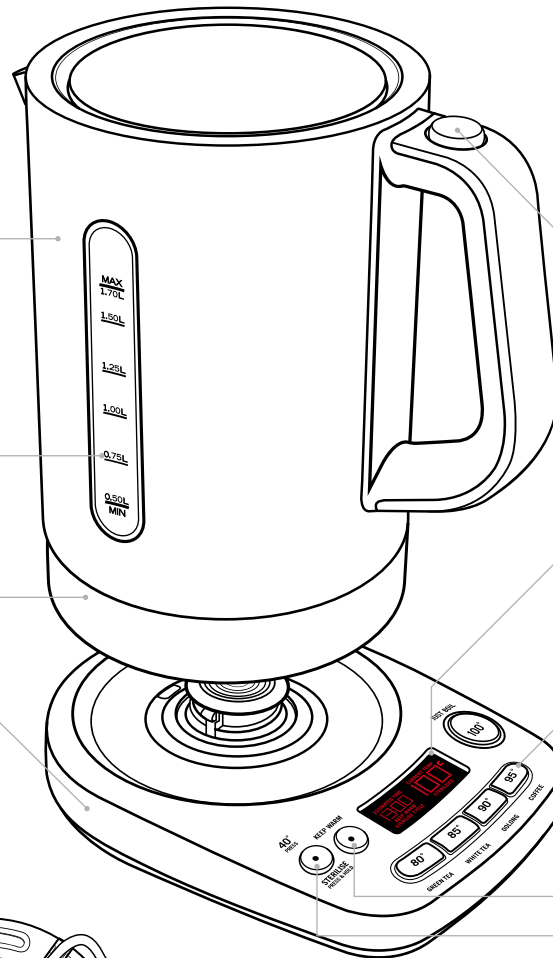
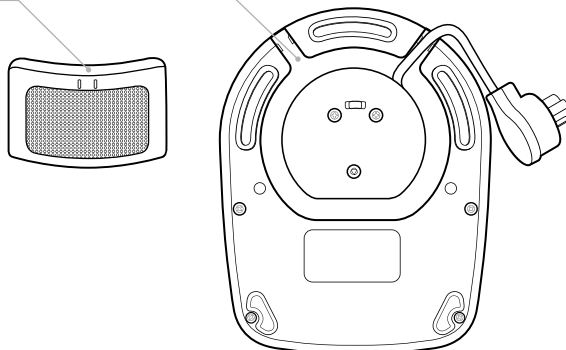
Designed to allow you to place the kettle on the base in any direction. Convenient for both left and right handed users.

## Cord storage facility

Excess cord can be wound around the cord storage facility underneath the power base.

## Removable mesh filter

Keeps the water clean of any foreign matter and is removable for easy cleaning.



## 3-Way Safety System

- 1 - Automatically switches the kettle off after boiling.
- 2 - Cuts out for boil-dry protection.
- 3 - Shuts down in case of overheating.



## Hinged locking lid

For ease of use the lid is activated by a single press of a button. The design is ideal for one-handed filling and also locks shut to prevent accidental scalding.

## Power base with LCD display panel shows

1. CURRENT TEMP - current water temperature
2. ESTIMATED TIME - estimated time to boil
3. KEEP WARM - (when activated)
4. STERILISE CYCLE / STERILISED - (when activated)

## Temperature Buttons

Enables the user to select from 5 different temperatures; 80°C, 85°C, 90°C, 95°C and 100°C (Just Boil).

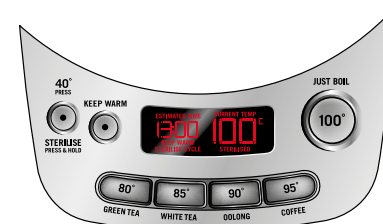
All the temperature buttons are one touch buttons so press the desired temperature button once to activate the cycle.

## Keep Warm

Convenient Keep Warm feature allows you to maintain the selected water temperature for up to 20 minutes.

## 40°C / Sterilise

1. Press the button once to heat the water to 40°C
2. Press and hold the button for 2 seconds to activate the sterilisation feature. The sterilisation feature heats the water to 100°C and maintains a rolling boil for 5 minutes and then alerts the user when the water temperature cools to 70°C.



# Espressions Quiet Shield®

The Espressions Smart Kettle features the Espressions Quiet Shield® which is new and exclusive quietboil technology designed to make boiling water a peaceful practice.

The Espressions Quiet Shield® is a stainless steel disk attached to the kettle floor which acts as a diffuser plate. It is perforated with a range of holes which help disperse, and reduce the size of, the water bubbles thus significantly reducing the noise of the boiling process.

## Maintaining the Quiet Boil Technology.

Mineral deposits in tap water solidify when the water is heated; lime scale may be white, coloured, even rusty-looking and is normally visible but phosphate scale isn't generally visible although may cause the water to appear cloudy when heated.

Regular use of the kettle can lead to the build-up of these minerals which reduces the effectiveness of the Espressions Quiet Shield® as well as the performance of the kettle.

It is important to descale your kettle regularly to maintain the Quiet Shield® and to prolong the life of the kettle.

Espressions recommend that the kettle is descaled every 4-6 weeks. Go to page 10 for more information on how to descale your Espressions Smart Kettle.



# Using your Smart Kettle

## Before using your kettle.

It is recommended that you clean your kettle before using it by filling the kettle with water to the maximum level indicator, boiling the water and discarding.

**Important:** Do not fill the kettle over the maximum level, as water may spill out of the spout when boiling.

1. To fill the kettle, remove it from the power base and lift the lid, by pressing the button at the top of the handle.
2. Fill the kettle with the desired amount of water. Always fill the kettle between the minimum and maximum marks. Do not fill the kettle below the 'min' indication because too little water may result in the kettle switching off before the water has boiled because of the boil dry protection safety feature.
3. Push the lid closed firmly until it locks into position.
4. Place the kettle onto the power base. Plug the power cord into a 230-240 Volt AC power outlet and switch the power on.

**Note:** If the kettle is not positioned on top of the power base correctly the LCD panel will show '---°C' and Current Temp before going into sleep mode.



## Using your Espressions Smart Kettle

**Tip:** The Espressions Smart Kettle has five optimum tea temperatures you can select from: 80°C, 85°C, 90°C, 95°C and 100°C (Just Boil). Refer to the 'Tea Brewing Styles and Tips' table on page 11 for the ideal water temperature for your tea.

**Note:** The temperature settings are a guide only and may vary depending on personal preference.

1. All the buttons are one touch buttons. Select the temperature you require by pressing the

specified button and the heating cycle will activate immediately. The temperature button you have selected will light up and all the other buttons will not be illuminated.

If nothing has been selected after 30 seconds the buttons will cease to be illuminated. After 10 minutes of nothing being selected the LCD screen will go into sleep mode.

**Note:** During sleep mode the kettle consumes less than 0.5W.

2. When the heating cycle is initiated, the LCD display will show the estimated amount of time required to reach the selected water temperature. The Time to Boil feature shown on the LCD display will count down until the selected temperature is reached at which point the kettle will beep. The kettle will automatically turn off once temperature has been reached.
3. During the heating cycle the LCD panel will display the increasing temperature and the number of minutes and seconds remaining until the selected temperature is reached
4. The kettle will beep once when the selected water temperature has been reached.

**Note:** To cancel the heating process at any time during the boiling cycle, simply press the selected temperature button once or remove the vessel from the base.

**Note:** If the kettle is removed from the power base during the heating process, the kettle will automatically reset, cancelling the heating cycle.

## 40° / Sterilise feature

1. To select the 40°C feature press the button once. The water is heated to 40°C.

**Note:** The ESTIMATED TIME to boil will not be shown when 40°C is selected because it is dependent on how much water is in the kettle

**Note:** To ensure the water temperature does not exceed 40°C the heating process is purposely intermittent and therefore it could take a few minutes to get to this temperature

2. To select the Sterilise feature press and hold the button for 1 second. The sterilisation feature heats the water to 100°C and maintains a rolling boil for 5 minutes. When the sterilisation feature is activated the LCD screen will display 'STERILISE CYCLE'.

# Using your Smart Kettle

After 5 minutes the LCD screen will display 'STERILISED' and this will remain there until the water temperature reaches 70°C at which point the kettle beeps to alert the user that this temperature has been reached. When the temperature falls below 70°C the kettle will go into ready mode.

**Note:** If at any point during the sterilising cycle the vessel is removed the cycle will stop

**Note:** If at any point during the cool down period the vessel is removed from the base or the temperature of the water drops below 70°C the water is no longer sterilised and STERILISED will disappear from the LCD screen.

**Note:** If a temperature is selected which is below the current temperature of water, for example current temp is 90°C and 80°C is selected, the selected temp will be illuminated and the kettle will beep once when the water has naturally cooled to that temperature

## Time to Boil

The Time to Boil feature calculates the amount of time remaining until the selected water temperature is reached.



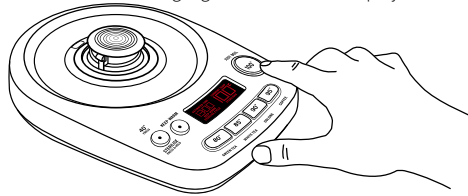
**Note:** Water does not boil evenly and the amount of time it takes to boil is dependent on factors such as the volume of water, the ambient temperature, levels of mineral content and the selected temperature. Therefore, the Time to Boil is a guide only.

When the heating cycle is initiated, the LCD display will show the estimated amount of time required to reach the selected water temperature. The Time to Boil shown on the LCD display will count down until the selected temperature is reached.

**Note:** If the current temperature is within 20°C of the selected temperature the time to boil will not be shown. The time to boil will never be shown if the 40°C mode is selected

## Keep Warm Function

1. To maintain the temperature of the selected water temperature, simply press the 'Keep Warm' button. This will maintain the temperature selected for up to 20 minutes. 'Keep Warm' will be highlighted on the LCD display.



**Note:** The 'Keep Warm' button can be pressed when selecting your desired water temperature at any any point (during the boiling cycle). It will remain illuminated during the keep warm period and KEEP WARM will be illuminated on the LCD screen.

## Sleep mode

The buttons will turn off after 30 seconds and the LCD screen will turn off after 10 minutes to save power. To exit the standby mode, press any button or remove the vessel from the base.

**Note:** If any button is selected during Sleep Mode, the kettle will automatically initiate the selected function.

# Tea brewing styles and tips

## Optimum Tea Temperatures

The Espressions Smart Kettle has five optimum tea brewing temperatures 80°C, 85°C, 90°C, 95°C and 100°C (Just boil). Refer to the table below for Espressions' recommended temperature for a range of tea varieties:

OPTIMUM TEA TEMPERATURES							
GREEN TEAS - 80°C	Asatsutu	WHITE TEAS - 85°C	Apple	OOLONG TEAS - 90°C	China Rose	BLACK TEAS - 100°C	Assam
	Bancha		Blackcurrant		Darjeeling		Chai
	Ceylon Green	Baihao Yinzhen or White Hair	Ensemble	Indian Chai	Keeman	Chamomile	Cinnamon
	Chun mee	Elderflower	Ginger	Pouchong	Ti Kuan Yin	Earl Grey	Irish
	Green	Lemon	Lychee	Wuyi		Breakfast	Lemongrass
	Dragon Well	Orange	Peony			Peppermint	Spearmint
	Fukamushi	Silver Needle	Snowbud	COFFEE - 95°C	Instant Coffee		
	Sencha	Strawberry		Plunger Coffee			
	Gunpowder						
	Gyokuro						
	Jasmine						
	Kukicha						
	Nepal Green						
	Pi Lo Chun						
	Tencha						

## Brew Strength and Time

The brew strength preference will vary from individual to individual, however we have provided below some suggested brew times dependant on how strong you like the flavour of your tea.

MILD	3 minutes
MEDIUM	4 minutes
STRONG	5 minutes

**Note:** Certain teas should not be brewed for more than 3 minutes, including certain green teas, white teas and oolong teas. We recommend you read the packaging of your purchased tea variety for more detailed brewing instructions.

**NOTE:** These two tables are recommendations only and may vary depending on personal preference, brand and age of tea/coffee used.

# Espressions 3-Way Safety System

Safety is a major consideration in the design of a Espressions Smart Kettle. This is why we have developed our 3-Way Safety System, which ensures that your kettle will:

**1. Automatically switch off after boiling.**

For convenience, safety and energy efficiency, your Espressions Smart Kettle will automatically switch off after boiling.

**2. Cut-out for boil-dry protection.**

If the kettle is operated without water, it will automatically cut-out, preventing any damage to the element. If this occurs, allow the kettle to cool before filling with cold water and re-boiling.

**3. Shut-down in case of change to over-heating.**

In the event of overheating, the kettle will automatically shut down to prevent further damage. Should this occur, take your kettle to a Espressions Service Centre or Appointed Service Agent.



# Care and cleaning

Always disconnect the kettle from the power outlet before cleaning. Never immerse the kettle switch area, cord or power base in water, or allow moisture to come into contact with these parts.

**Descale Your Kettle Regularly**

Mineral deposits in tap water solidify when the water is heated; lime scale may be white, coloured, even rusty-looking and is normally visible but phosphate scale isn't generally visible although may cause the water to appear cloudy when heated. This may cause the interior of the water gauge to discolour, reduce the effectiveness of the Quiet Boil technology, cause over-heating, trigger the boil-dry cut-out mechanism or even reduce the kettle's life.

Even in soft water areas it is important to descale your kettle regularly to help maintain its lifecycle.

**Note:** Failure to descale products regularly can be deemed as negligent handling and any faults caused by mineral build up will not be covered by the Espressions 12 Month Guarantee.

To remove this build-up, use Espressions Descaling Tablets (EP001) or Espressions Liquid Descaler (EP002) which are available from most retailer or from Espressions Appointed Service Agents

Descale Using Descaling Tablets (EP001)

1. Fill Kettle to MAXIMUM 1L of tap water
2. Avoid contact with skin, remove one tablet (20g) from sealed pack.
3. Place tablet into kettle. The tablet will begin to fizz and dissolve.
4. Activate the Sterilise feature. To activate sterilise feature press and hold button for 1 second. Leave kettle until it beeps.
5. Empty water solution from kettle.
6. Rinse kettle with clean water.
7. Fill the kettle, bring to boil and discard all the water.
8. If any deposits remain, wipe with a dry cloth.

**Alternatively:**

1. Fill the kettle with 1/2 cup of lemon juice and the remainder with water and allow to stand overnight. Allow to stand overnight OR for quicker results, using the sterilising function run through one cycle and stand for 4 - 5 hours.
2. Empty the water solution from the kettle.
3. Rinse the kettle with clean water.
4. Fill the kettle, bring to boiling, and discard this water.
5. If any deposits remain wipe with a dry cloth.

**To clean the stainless exterior**

The stainless steel surface may be wiped over with a damp cloth and polished with a soft dry cloth.

**Note:** Do not put the mesh filter in the dishwasher

**CAUTION:** Do not use chemicals, steelwool, or abrasive cleaners to clean the outside of the kettle, as these will scratch the stainless steel surface.

**To clean the mesh filter**

Press the button on the handle to open the hinged lid. Grasp the top of the mesh filter and pull upwards to remove. Wash in warm soapy water and dry thoroughly before replacing in the kettle.

# Terms of guarantee

This ESPRESSIONS kitchen appliance has been made to a very high degree of excellence in quality and design. However, should there be, within the guarantee period, any defects found in the materials or in the operation, and if we feel it is appropriate, we will replace the defective parts or effect repairs in accordance with the terms of guarantee stated below. This 2-year guarantee applies to parts as well as the costs of labour only in the case of domestic use. Postage costs are not included.

These terms of guarantee are provided in addition to, and will not be prejudicial to, your legal rights. This guarantee does not cover postage or transport costs incurred in the return of the appliance. This guarantee only applies to products that have been purchased and remain within the Benelux countries. The guarantee does not apply to any plugs, electric leads or fuses, and also does not apply to any defects resulting from:

- Normal wear and tear of the appliance or parts in respect of use.
- Failure to follow the instructions for use in respect of use or maintenance.
- Connecting the product to a power source not suitable to the purpose.
- Damaged caused by incorrect use or misuse of the product.
- Any modifications made to the product by anyone else other than the service personnel authorized by IT&M.
- The dismantling of or any other interference with the product.
- Theft or attempt of theft of the product.
- Breakages or defects resulting from transport.

Before you return this product under the terms of this guarantee, please make sure:

- that you have followed the instructions for this product properly.
- that the power supply to the equipment is working and that you have plugged in the appliance.
- that the defect is not a result of a faulty fuse.

If you wish to make a claim under the terms of this guarantee, then please:

- Return the product by post or transport services to the dealer from whom the product was purchased or directly to IT&M.
- Ensure that the product is clean and carefully and suitably packed for transportation, preferably in its original packing.
- Enclose information in respect of your contact details (name, address telephone number) and where and when the product was purchased, together with a copy of the receipt.
- Describe the exact nature of the defect.

This guarantee does not cover any other claims whatsoever, including and without any exception, any liability for additional, indirect or resulting damage. It also does not cover any costs for modifications or repairs carried out by third parties without the express permission of IT&M. If any part of or the whole appliance is replaced, the guarantee period will not be extended. The original date of purchase shall still apply as the commencement of the guarantee period.

For more information you can contact your dealer or in the Benelux with:

**IT&M B.V. Eindhoven**  
Telephone: +31 40 290 11 30  
E-mail: [info@itmonline.nl](mailto:info@itmonline.nl)



# Notes

A series of horizontal dotted lines provided for taking notes.





## Do you need help?

Contact us or visit our website

### IT&M

Business number 6066

Park Forum 1110


NL-5657 HK Eindhoven

The Netherlands

Mail: [info@itmonline.nl](mailto:info@itmonline.nl)

Website: [www.itmonline.nl](http://www.itmonline.nl)

Telephone: +31 40 290 11 30

 **Espressions** is a registered trademark of IT&M b.v.

Due to minor changes in design or otherwise, the product may differ from the one shown in this leaflet.  
© 2020 IT&M B.V.

